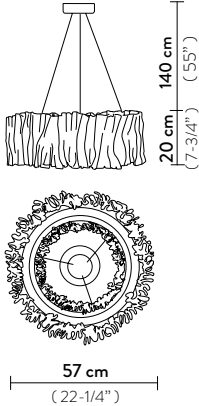


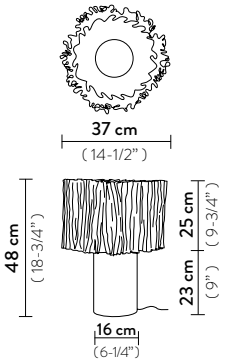
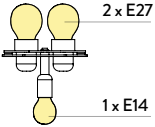


ACCORDÉON design by Marc Sadler

Compendium page 22 +
March 2020 Catalogue page 6

PRODUCT	SIZE	COLOUR	CODE
SUSPENSION LED: 52W - 200~240V - 5.900 Lumen 2700 Kelvin or 3.000 Kelvin Dimmable with: PWM / 0-10 With: Hand modulated diffusor Made of: Lentiflex® / Goldflex® or Steelflex® Weight: net Kg 4 - gross Kg 6 Package: 63 x 64 x h. 34 cm		<input type="checkbox"/> WHITE - 2700K	ACR97SOS2702PW000
		<input type="checkbox"/> WHITE - 3000K	ACR97SOS3002PW000
		<input type="checkbox"/> SILVER - 2700K	ACR97SOS2702PS000
		<input type="checkbox"/> SILVER - 3000K	ACR97SOS3002PS000
		<input type="checkbox"/> GOLD - 2700K	ACR97SOS2702PG000
		<input type="checkbox"/> GOLD - 3000K	ACR97SOS3002PG000
		ADDITIONAL DIMMING SYSTEM DALI, BLUETOOTH, CASAMBI, TRIAC UPON REQUEST	
TABLE Bulbs E27 + E14:  2 X 12W E27 LED  + 1X 6W E14 LED With: Two position light switch Hand modulated diffusor Magnetic System® Made of: Cristalflex® / Lentiflex® Weight: net Kg 2,6 - gross Kg 4,55 Package: 46 x 61,5 x h. 34,5 cm		<input type="checkbox"/> PRISMA	ACR97TAV0002PW000
		LIGHT SOURCE: 	

CANOPY DETAILS



ACCORDÉON

Ø 16 cm x h. 3,5 cm (Ø 6-1/4" x h.1-1/2")



6m. cable kit must be ordered with lamp purchase

Kit Cavi da 6m da richiedere tassativamente in fase di ordine

Kit di installazione multipla su richiesta

Multiple installation kit on request

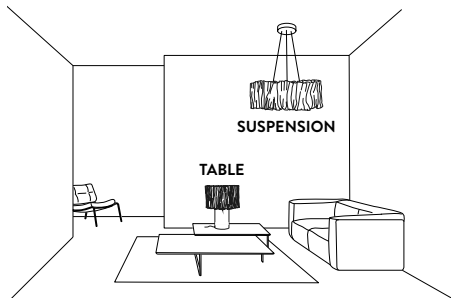
CERTIFICATION

CE IP 20  

ENERGY CLASS: A / A+ / A++

ENERGY LABEL AVAILABLE ON SLAMP'S WEBSITE

ACCORDÉON ENTIRE COLLECTION



FINISHES



GOLD

SILVER

WHITE