
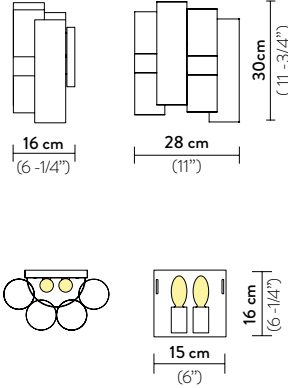





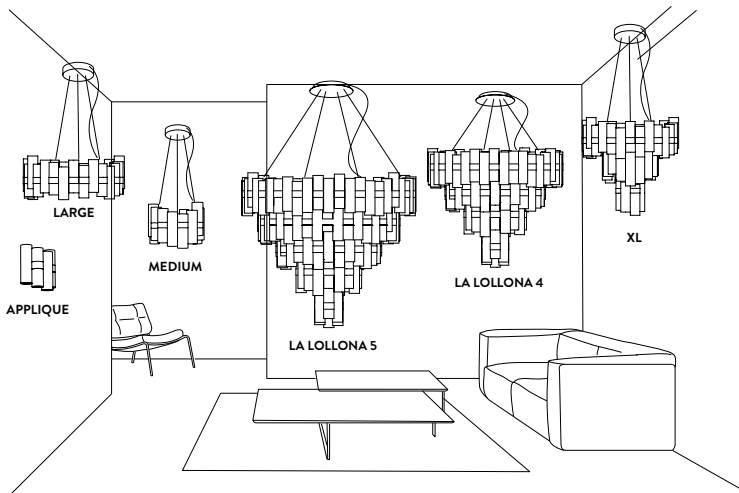




PRODUCT	SIZE	COLOUR	CODE
<b>WALL LAMP</b> <b>Bulbs E14:</b>  2 X 6W LED Filament  <b>Dimmable with:</b> Dimmable bulbs <b>Made of:</b> Lentiflex® / Cristalflex® Opalflex® Brushed Goldflex® or Pewterflex®  <b>With:</b> Stainless Steel Support <b>Weight:</b> net Kg 0,45 - gross Kg 1 <b>Package:</b> 33 x 34 x h. 19 cm	 <p>16 cm (6 -1/4")      28 cm (11")      30cm (11 -3/4")</p> <p>16 cm (6 -1/4")      15 cm (6")</p>	 LACE	LAL87APP0000LA000
		 GRADIENT	LAL87APP0000GR000
		 MACKINTOSH	LAL87APP0000MC000
		 GOLD	LAL87APP0000OF000
		 PEWTER WHITE	LAL87APP0000PE000

## LA LOLLO ENTIRE COLLECTION



## CERTIFICATION

CE IP 20  

ENERGY CLASS: A / A+ / A++

ENERGY LABEL AVAILABLE ON SLAMP'S WEBSITE

## FINISHES



LACE



GRADIENT



MACKINTOSH



GOLD



PEWTER/WHITE