
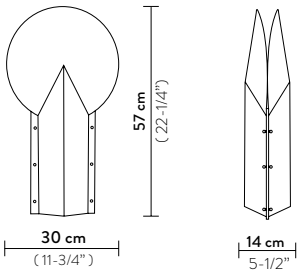
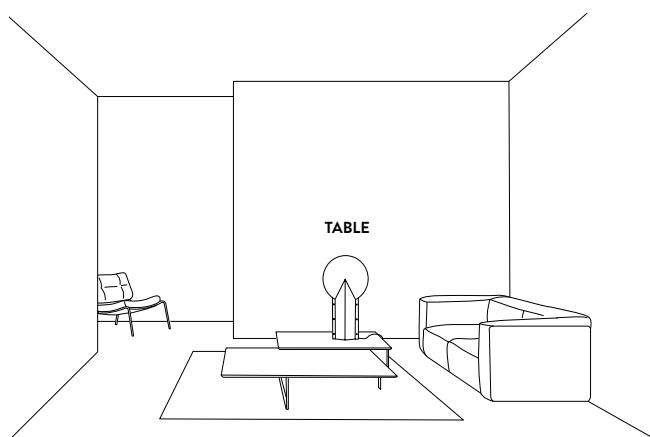


PRODUCT	SIZE	COLOUR	CODE
<p>TABLE</p> <p>Bulbs E27:</p> <p> 1X 12W LED Filament</p> <p>Made of: Opalflex®</p> <p>With: Aluminium profiles with a brushed brass finish - Silk screen printing Marble Texture</p> <p>Weight: net Kg 1 - gross Kg 1,5</p> <p>Package: 29 x 30 x h. 60 cm</p>		<input checked="" type="checkbox"/> BLACK	MOO89TAV0000N_000
		<input type="checkbox"/> WHITE	MOO89TAV0000W_000
		<input type="checkbox"/> PINK	MOO89TAV0000PK000

MOON ENTIRE COLLECTION



CERTIFICATION

CE IP 20  

ENERGY CLASS: A / A+ / A++

ENERGY LABEL AVAILABLE ON SLAMP'S WEBSITE

FINISHES



BLACK



WHITE



PINK