








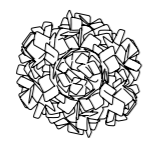






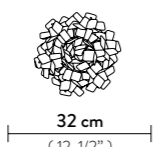









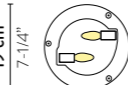
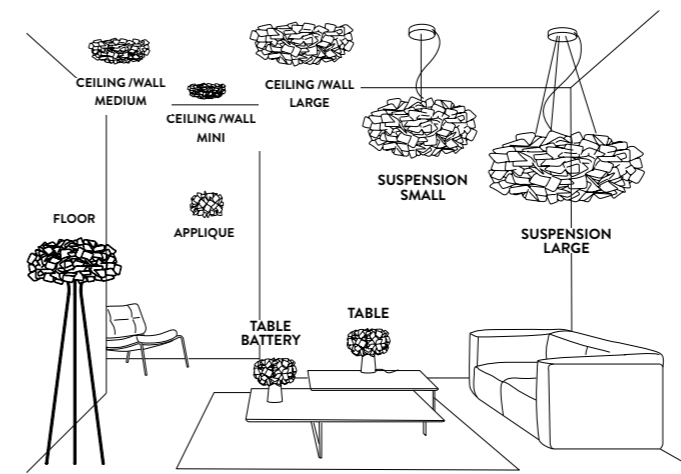




| PRODUCT  | SIZE  | COLOUR   | CODE |
|--|---|--|------|
| <b>CEILING / WALL LARGE</b><br><b>Bulbs E27:</b><br> 3 X 12W LED Filament<br><b>Dimmable with:</b> Dimmable bulbs<br><b>Made of:</b> Opalflex® / Cristalflex® / Lentiflex®<br><b>With:</b> Magnetic System®<br><b>Weight:</b> net Kg 4,5 - gross Kg 6,5<br><b>Package:</b> 80 x 80 x h. 30 cm<br>CB REPORT AVAILABLE | <br><br>25 cm<br>(9-3/4")<br><br>78 cm<br>(30-3/4")<br><br><b>LIGHT SOURCE:</b><br><br>37 cm<br>14-1/4"    | ■ BLACK<br>CLI78PLF0003N_000   |      |
|  |   | □ WHITE<br>CLI78PLF0003W_000   |      |
|  |   | ■ ORANGE<br>CLI78PLF0003A_000  |      |
|  |   | ■ PURPLE<br>CLI78PLF0003P_000  |      |
|  |   |  MAMA NON MAMA<br>CLI78PLF0003MN000   |      |
|  |   |  PIXEL<br>CLI78PLF0003PX000           |      |
|  FUMÉ<br>CLI78PLF0003F_000  |   |  |      |
| <b>CEILING / WALL MEDIUM</b><br><b>Bulbs E27:</b><br> 2 X 12W LED Filament<br><b>Dimmable with:</b> Dimmable bulbs<br><b>Made of:</b> Opalflex® / Cristalflex® / Lentiflex®<br><b>With:</b> Magnetic System®<br><b>Weight:</b> net Kg 2 - gross Kg 2,3<br><b>Package:</b> 57 x 55 x h. 23 cm<br>CB REPORT AVAILABLE  | <br><br>20 cm<br>8"<br><br>53 cm<br>(20-3/4")<br><br><b>LIGHT SOURCE:</b><br><br>26 cm<br>10 - 1/4"     | ■ BLACK<br>CLI78PLF0000N_000   |      |
|  |   | □ WHITE<br>CLI78PLF0000W_000   |      |
|  |   | ■ ORANGE<br>CLI78PLF0000A_000  |      |
|  |   | ■ PURPLE<br>CLI78PLF0000P_000  |      |
|  |   | ■ BLUE<br>CLI78PLF0000B_000  |      |
|  |   |  MAMA NON MAMA<br>CLI78PLF0000MN000   |      |
|  PIXEL<br>CLI78PLF0000PX000   |   |  |      |
|  FUMÉ<br>CLI78PLF0000F_000  |   |  |      |
| <b>CEILING / WALL MINI</b><br><b>Bulbs E14:</b><br> 2 X 6W LED Filament<br><b>Dimmable with:</b> Dimmable bulbs<br><b>Made of:</b> Opalflex® / Cristalflex® / Lentiflex®<br><b>With:</b> Magnetic System®<br><b>Weight:</b> net Kg 0,6 - gross Kg 1,4<br><b>Package:</b> 36 x 38 x h. 15 cm<br>CB REPORT AVAILABLE | <br><br>15 cm<br>5-3/4"<br><br>32 cm<br>(12-1/2")<br><br><b>LIGHT SOURCE:</b><br><br>19 cm<br>7-1/4" | ■ BLACK<br>CLI78PLF0001N_000   |      |
|  |   | □ WHITE<br>CLI78PLF0001W_000   |      |
|  |   | ■ ORANGE<br>CLI78PLF0001A_000  |      |
|  |   | ■ PURPLE<br>CLI78PLF0001P_000  |      |
|  |   |  MAMA NON MAMA<br>CLI78PLF0001MN000 |      |
|  |   |  PIXEL<br>CLI78PLF0001PX000         |      |
|  FUMÉ<br>CLI78PLF0001F_000  |   |  |      |

| PRODUCT   | SIZE   | COLOUR   | CODE |
|---|--|--|------|
| <b>APPLIQUE</b><br><b>Bulbs E14:</b><br> 2 X 6W LED Filament<br><b>Dimmable with:</b> Dimmable bulbs<br><b>Made of:</b> Cristalflex®<br><b>With:</b> MagneticSystem®<br><b>Weight:</b> net Kg 0,6 - gross Kg 1,4<br><b>Package:</b> 36 x 38 x h. 15 cm | <br><br>28 cm<br>9-3/4"<br><br>32 cm<br>(12-1/2")<br><br>15 cm<br>5-3/4" |  MAMA NON MAMA<br>CLI78APP0000MN000 |      |
|   |  |  PIXEL<br>CLI78APP0000PX000         |      |
| <b>LIGHT SOURCE:</b><br><br>19 cm<br>7-1/4"  |  |  |      |

## CLIZIA ENTIRE COLLECTION



## CERTIFICATION

CE IP 20  

ENERGY CLASS: A / A+ / A++

ENERGY LABEL AVAILABLE ON SLAMP'S WEBSITE

## FINISHES

