
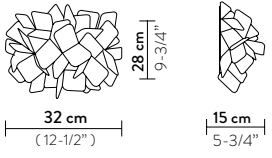
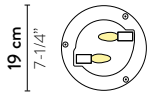
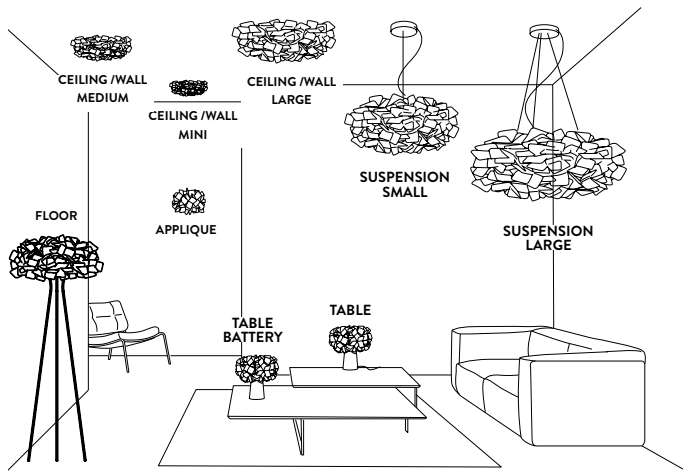




PRODUCT	SIZE	COLOUR	CODE
<b>APPLIQUE</b> <b>Bulbs E14:</b>  2 X 6W LED Filament <b>Dimmable with:</b> Dimmable bulbs <b>Made of:</b> Cristalflex® <b>With:</b> MagneticSystem® <b>Weight:</b> net Kg 0,6 - gross Kg 1,4 <b>Package:</b> 36 x 38 x h. 15 cm	  <b>LIGHT SOURCE:</b> 	<input type="checkbox"/> MAMA NON MAMA	<b>CLI78APP0000MN000</b>
		<input type="checkbox"/> PIXEL	<b>CLI78APP0000PX000</b>

## CLIZIA ENTIRE COLLECTION



## CERTIFICATION

CE IP 20  

ENERGY CLASS: A / A+ / A++

ENERGY LABEL AVAILABLE ON SLAMP'S WEBSITE

## FINISHES



MAMA  
NON MAMA



PIXEL



FUMÉ



BLACK



WHITE



ORANGE



PURPLE



BLUE