
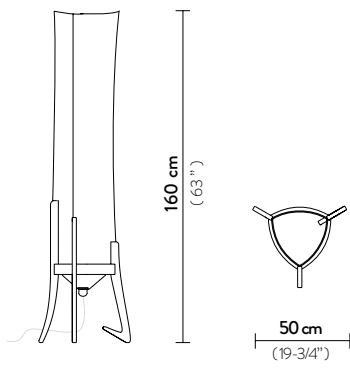


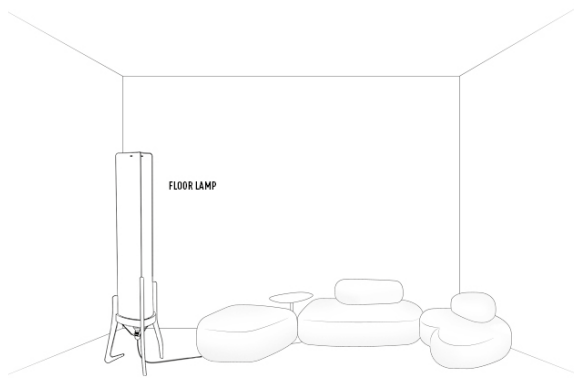
# BATTISTA

design by Nigel Coates


Compendium page 272

PRODOTTI	MISURE	COLORI	CODICE
<p><b>FLOOR LAMP</b></p> <p>Bulbs E27:</p> <p>1 X 16W Spot LED</p> <p>Made of: Cristalflex<sup>®</sup>, Reclaimed Wood</p> <p>With: <b>Dimmer - Signature by the Artist</b></p> <p>Weight: net Kg 3,50 - gross Kg 9,00</p> <p>Package: 55 x 55 x h170cm</p> <p>CE IP 20 </p>		<p><b>WHITE FUMÉ</b></p>	<p><b>BAT14PF00000W_000</b></p>

## BATTISTA ENTIRE COLLECTION




## ENERGY CLASS



This luminaire is compatible with bulbs of the energy classes:

A++	✓
A+	✓
A	✓
B	✗
C	✗
D	✗
E	✗

} LED 

**SLAMP:**

BATTISTA

874/2012